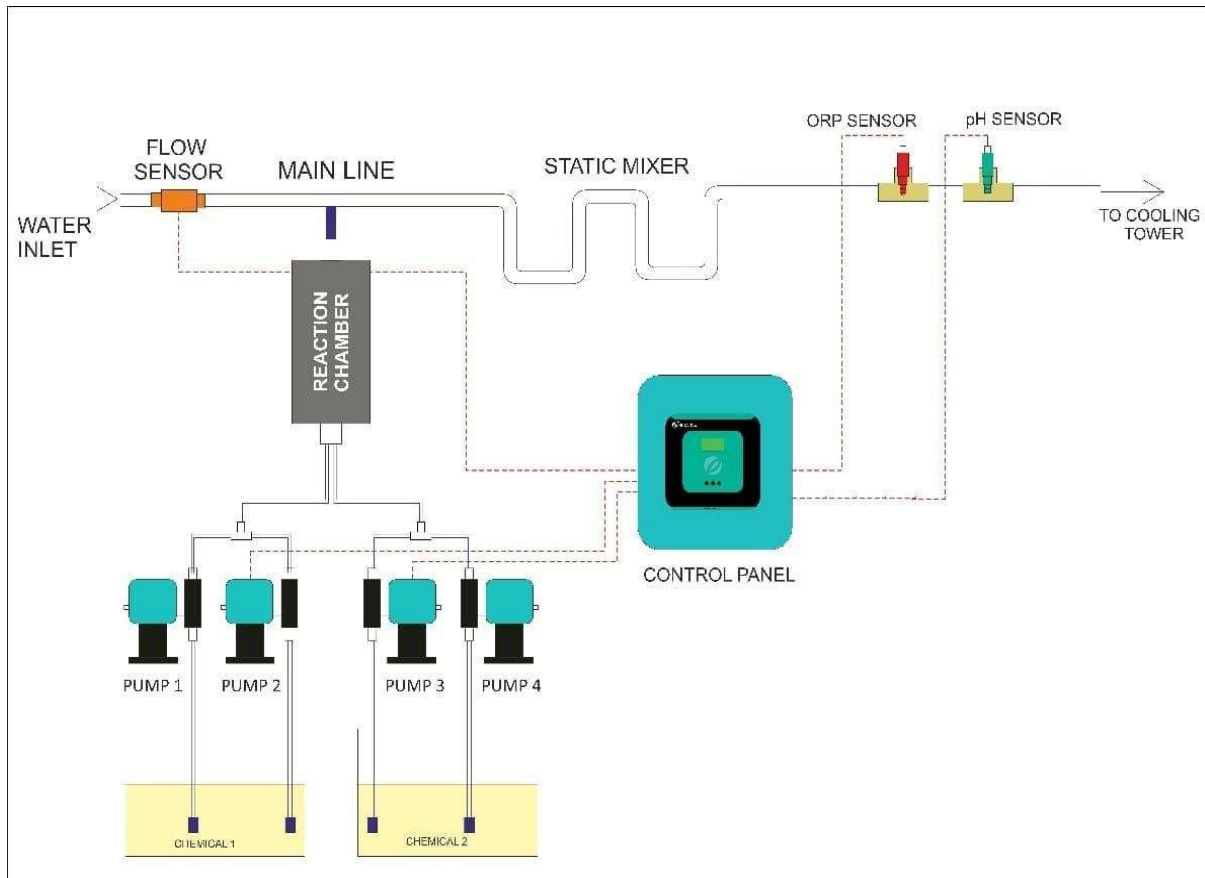


Our System Schematic



Controller Features

- Accurate ORP based process control irrelevant to the chemical concentration.
- Online display of process value in mv, easy to understand the effect of chlorination
- Low level interlock for chemicals.
- PID/proportional control
- Dosing rate adjust automatically based on the requirement.
- pH Monitoring
- Easy to install
- RS 485 output for data logging
- Reaction chamber made up of UPVC.
- 3.5" LCD display
- Flow sensor with totalizer
- Main /Standby pumps (changeover will be automatic based on preset time)



BOQ

Dosing pump Specifications

Model	:	Edose Neutra
Qty required	:	4Nos. (main/standby)
Type	:	Electronic solenoid driven
Maximum Flow rate	:	10 LPH @ 4 Bar
Operating Voltage	:	230 V, 50 Hz AC, single phase
Dosing rate adjustment	:	Automatic
Liquid end fitting MOC	:	PP

ORP Sensor Details

Sensor Type	:	Online
Make	:	Senssit Taiwan
Measuring range	:	0 to 1000 mv
Maximum operating pressure	:	4 Bar
Maximum operating temperature	:	60 Degree C
Cable length	:	5 meter
Process connection	:	¾" NPT

pH Sensor Details

Sensor Type	:	Online
Make	:	Senssit Taiwan
Measuring range	:	0 to 14 pH
Maximum operating pressure	:	4 Bar
Maximum operating temperature	:	60 Degree C
Cable length	:	5 meter
Process connection	:	¾" NPT

Control Panel

Type	:	Skid mounting Type
MOC	:	Duly Powder Coated
Digital Display	:	3.5" LCD display
ORP Controller	:	Inbuilt
pH Monitor	:	Inbuilt
Flow totalizer	:	Inbuilt
Low Level Switch	:	Included
Output control	:	Proportional or PID

Reaction Chamber

Make	:	Edose
MOC	:	UPVC
Capacity	:	3L

Flow sensor

Make	:	Aster
Type	:	Paddle wheel



ABS WATER TECH INDIA PVT LTD

Customer Oriented Customization Specialists

Line size	:	2"
Dosing tank		
Make	:	Edose
MOC	:	LDPE
Capacity	:	100 L
Quantity	:	2 Nos.
Skid		
Make	:	Edose
MOC	:	MS powder coated
Type	:	wall mounting
Quantity	:	1 No.

Customer Scope of supply

- Field piping & wiring
- Chemicals
- Installation & commissioning.